

Disco checkvalves are advantageous and practical products thanks to features such as short installation distance, saving from space and easy installation capability. Allowing desired flow direction of fluid in the installation and not allowing its flow in the reverse direction, Disco checkvalves ensures that flow is unidirectional.

### Applications;

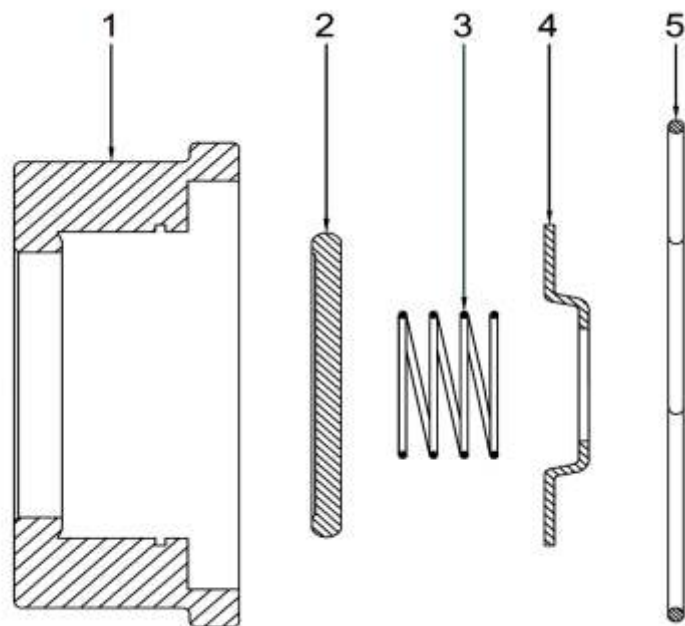
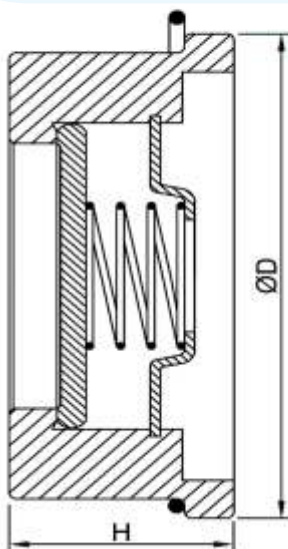
- Fluids such as liquids,
- Gasses,
- Vapour,

### Connection Diameter ;

- Brass (DN15-DN100),
- Carbon steel (DN40-DN100),
- Stainless (DN20-DN100)

### Maximum Operating Pressure;

- Brass (PN16),
- Carbon steel (PN40),
- Stainless (PN40).



### Standart Materials

<b>1</b>	Housing	Stainless steel/Carbon steel/MS58 Brass
<b>2</b>	Valve	Stainless steel
<b>3</b>	Closing spring	Stainless steel
<b>4</b>	Spring holder	Stainless steel
<b>5</b>	Centering ring	Stainless steel/Carbon steel

### Connection Diameter

### Dimensions

DN	Inch	B	H
15	1/2"	41	16
20	3/4"	47	19
25	1"	56	21
32	1 1/4"	72	28
40	1 1/2"	82	32
50	2"	95	39
65	2 1/2"	115	46
80	3"	132	50
100	4"	152	60