

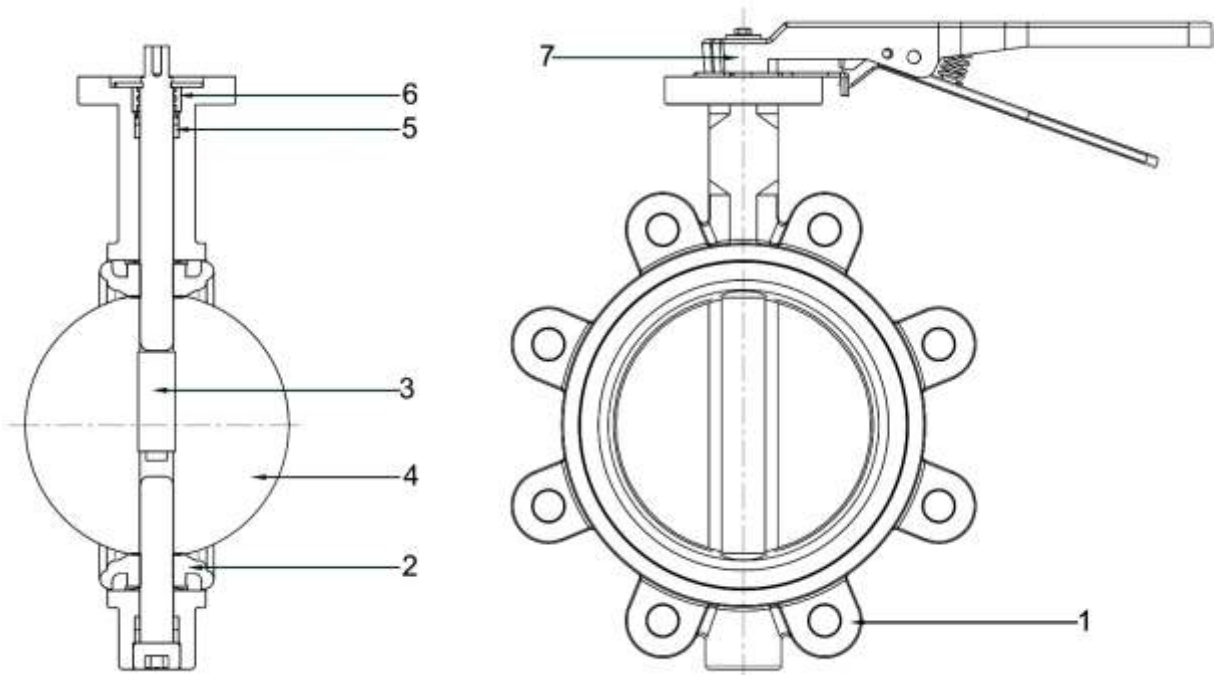
Lug Type Butterfly Valve with (Nickel, Stainless, Al-Bronze) Throttle is turned by 90 degrees around the axis perpendicular to the pipeline and 100% sealing is achieved with the lever and the gasket placed in the valve.



Application areas;
 -Hot and cold water,
 -Water distribution,
 -Water treatment,
 -Heating and cooling,
 -Chemical fluids,-Food,
 -Oil,-Textile,-Waste water,
 -Steam

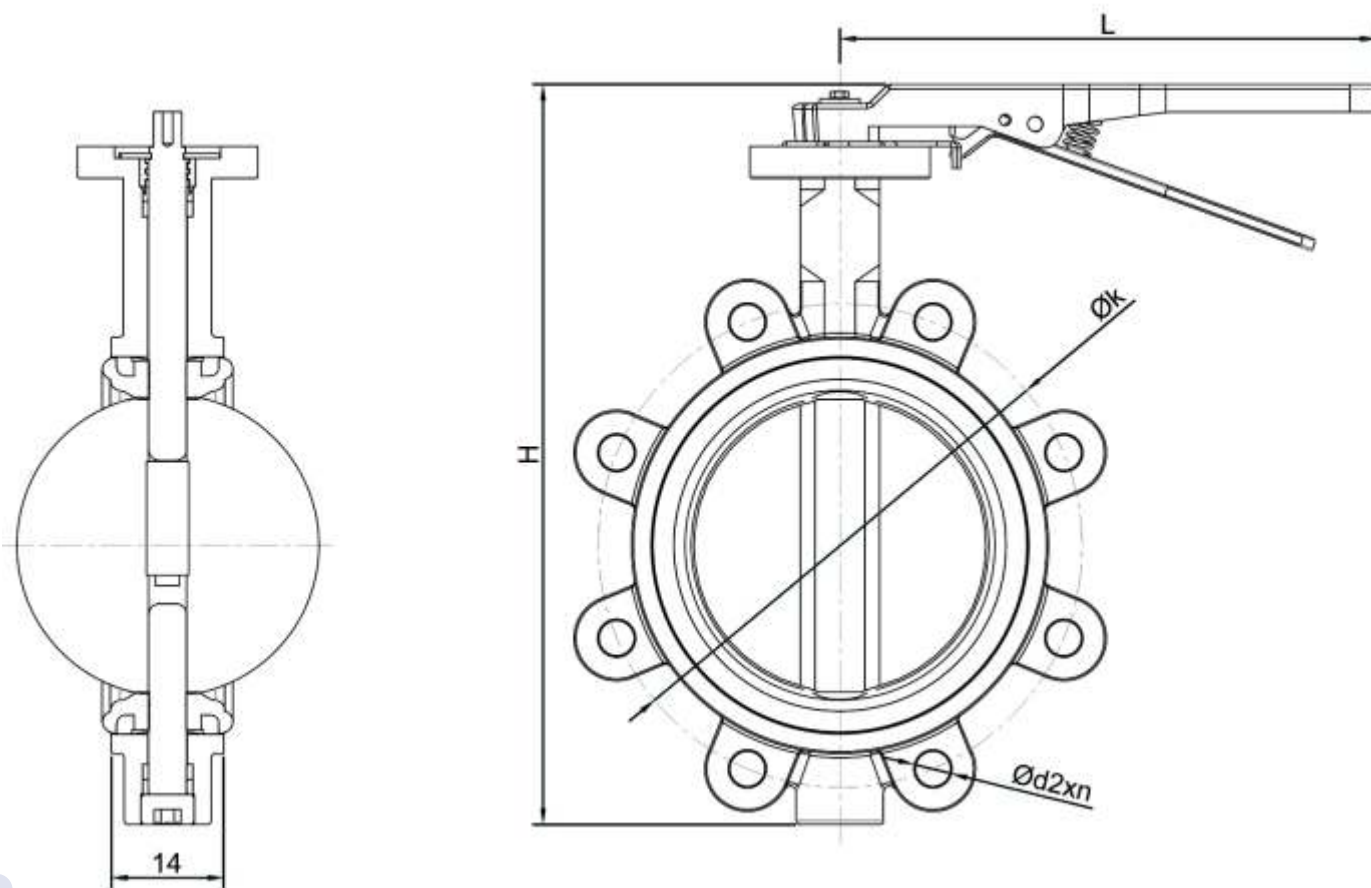
Flange Diameter ;
 DN40-DN300

Nominal Pressure ;
 PN16



Standard Materials

1	Housing	GG 25
2	Gasket	EPDM
3	Shaft	AISI 410
4	Throttle	Al-Bronze / Nickel Plated / GGG 40 (Stainless)
5	Teflon	PTFE
6	O-ring	NBR
7	Lever	GGG 40



Connection Diameter		Dimensions					Nominal Pressure
DN	Inch	H	L	C	Øk	Ød2xn	PN
40	1 1/2"	200	240	33	110	Ø 18x4	16
50	2"	220	240	42	125	Ø 18x4	16
65	2 1/2"	243	240	45	145	Ø 18x4	16
80	3"	261	240	45	160	Ø 18x8	16
100	4"	293	240	52	180	Ø 18x8	16
125	5"	328	260	54	210	Ø 18x8	16
150	6"	366	260	56	240	Ø 23x8	16
200	8"	441	360	60	295	Ø 23x12	16
250	10"	520	500	65	355	Ø 27x12	16
300	12"	593	500	77	410	Ø 27x12	16