

Metal Bellows Globe Valve, the flow direction perpendicular to the angle designed exile employees are working on the principle of power off valves in the flow cross-section of the body. When the valve is brought to the full round open position, the entire flow cross-section open and provide full flow. Pressure losses are very low valve type.

Scope of application;

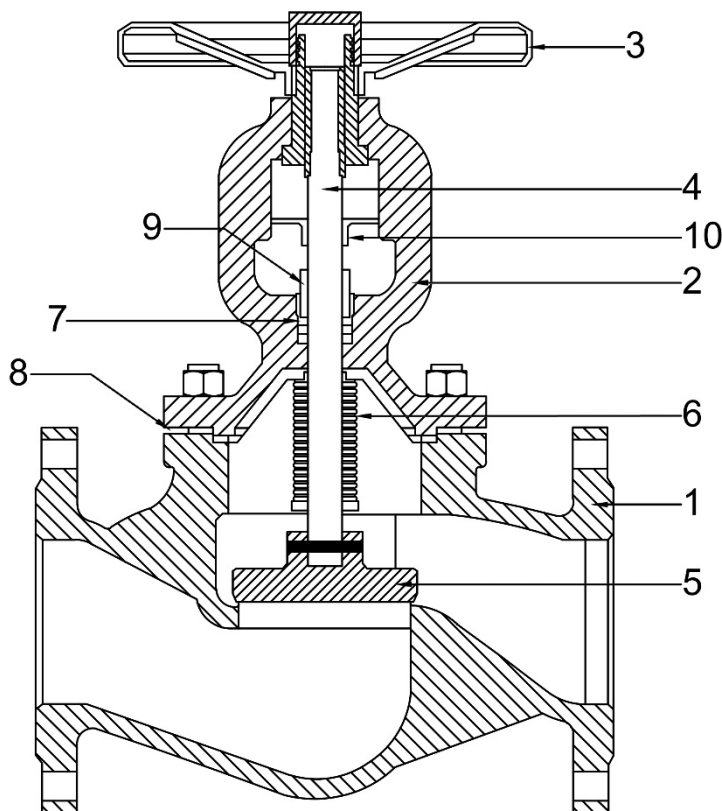
- HVAC applications,
- Underground lines,
- Irrigation lines,
- Line breakpoints,
- Distribution and collection manifolds and so on.

Connection Diameter ;

DN15-DN200

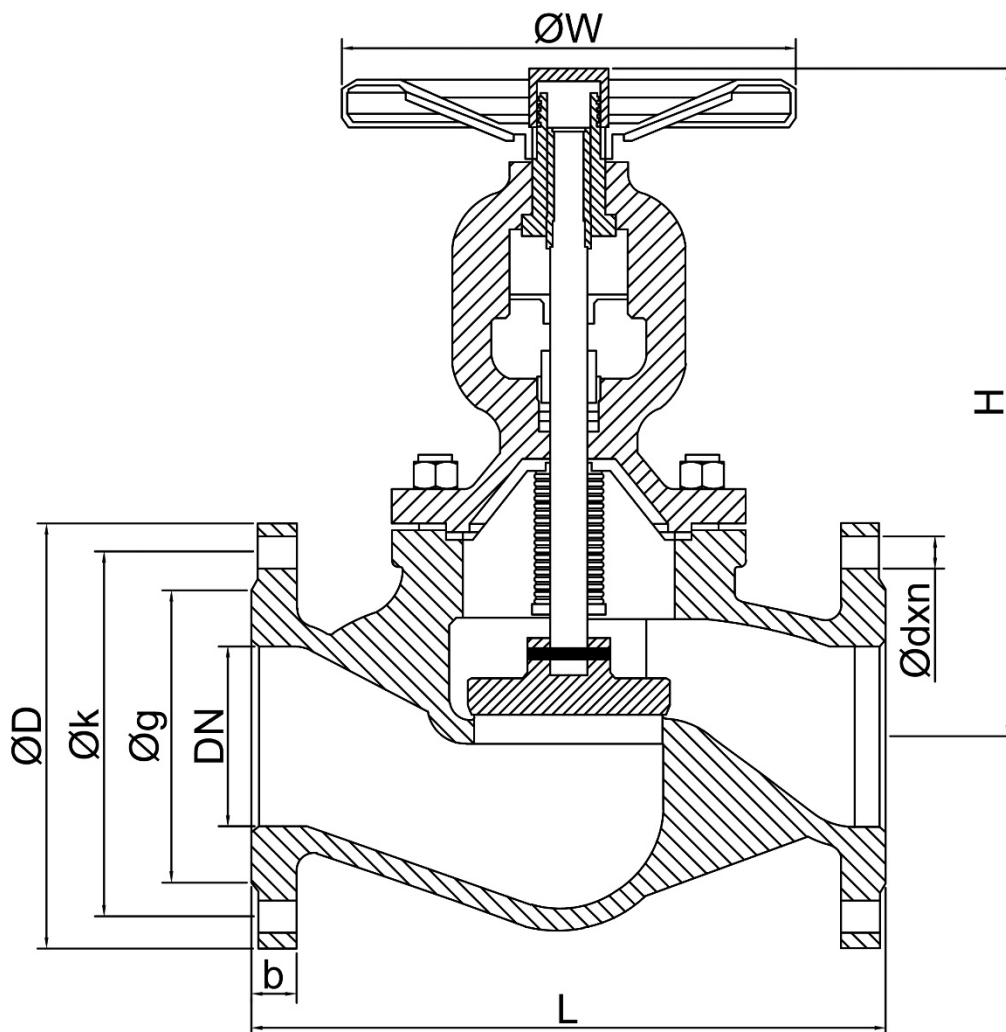
Nominal Pressure ;

PN16



Standart Materials

1	Body	GG 25
2	Cover	GG 25
3	Flywheel	GG 25
4	Shaft	AISI 420 (Stainless steel)
5	Clack	AISI 420 (Stainless steel)
6	Bellow	AISI 304 (Stainless steel)
7	Packing	Graphite
8	Gasket	Klingerit
9	The gland	Brass forged
10	Level indicator	Carbon steel



Connection Diameter		Dimensions								Nominal Pressure
DN	Inch	L	H	ØW	ØD	Øk	Øg	b	Ødxn	PN
15	1/2"	130	190	140	95	65	46	14	Ø14x4	16
20	3/4"	150	190	140	105	75	56	16	Ø14x4	16
25	1"	160	195	160	115	85	65	16	Ø14x4	16
32	1 1/4"	180	210	180	140	100	76	18	Ø19x4	16
40	1 1/2"	200	220	180	150	110	84	18	Ø19x4	16
50	2"	230	230	200	165	125	99	20	Ø19x4	16
65	2 1/2"	290	255	200	185	145	118	20	Ø19x4	16
80	3"	310	270	250	200	160	132	22	Ø19x8	16
100	4"	350	360	280	220	180	156	24	Ø19x8	16
125	5"	400	380	300	250	210	184	26	Ø19x8	16
150	6"	480	415	350	285	240	211	26	Ø23x8	16
200	8"	600	530	400	340	295	266	30	Ø23x12	16