

Metal Seated Gate Valves are operated by turning the control shaft multiple times in a perpendicular position to the flow direction of the iron stem.

Areas of application;

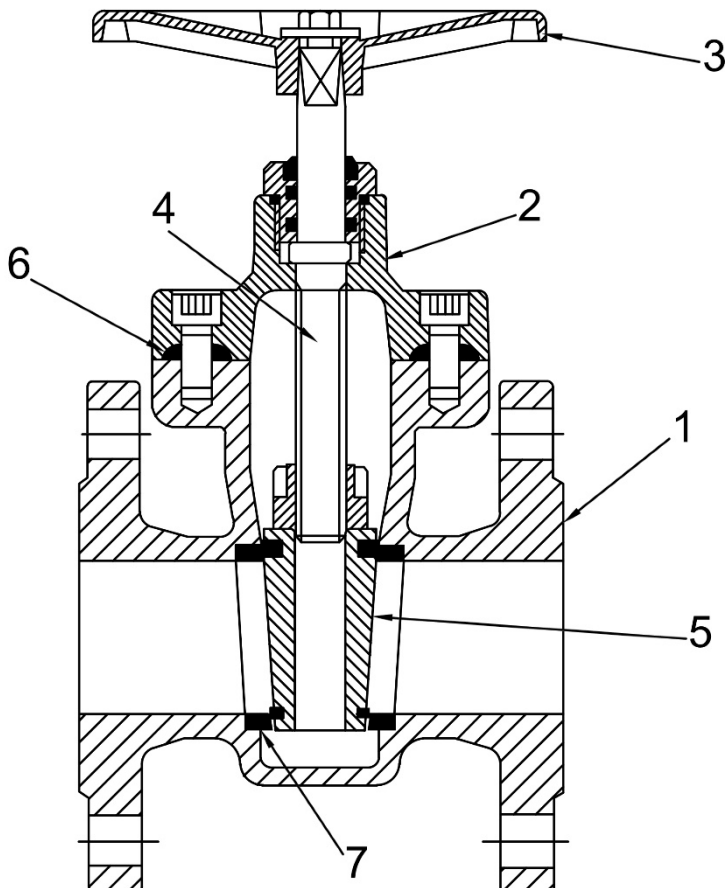
- Hot and cold water
- Fluids that do not show acidic or alkaline properties.

Flange Diameter ;

DN40-DN600

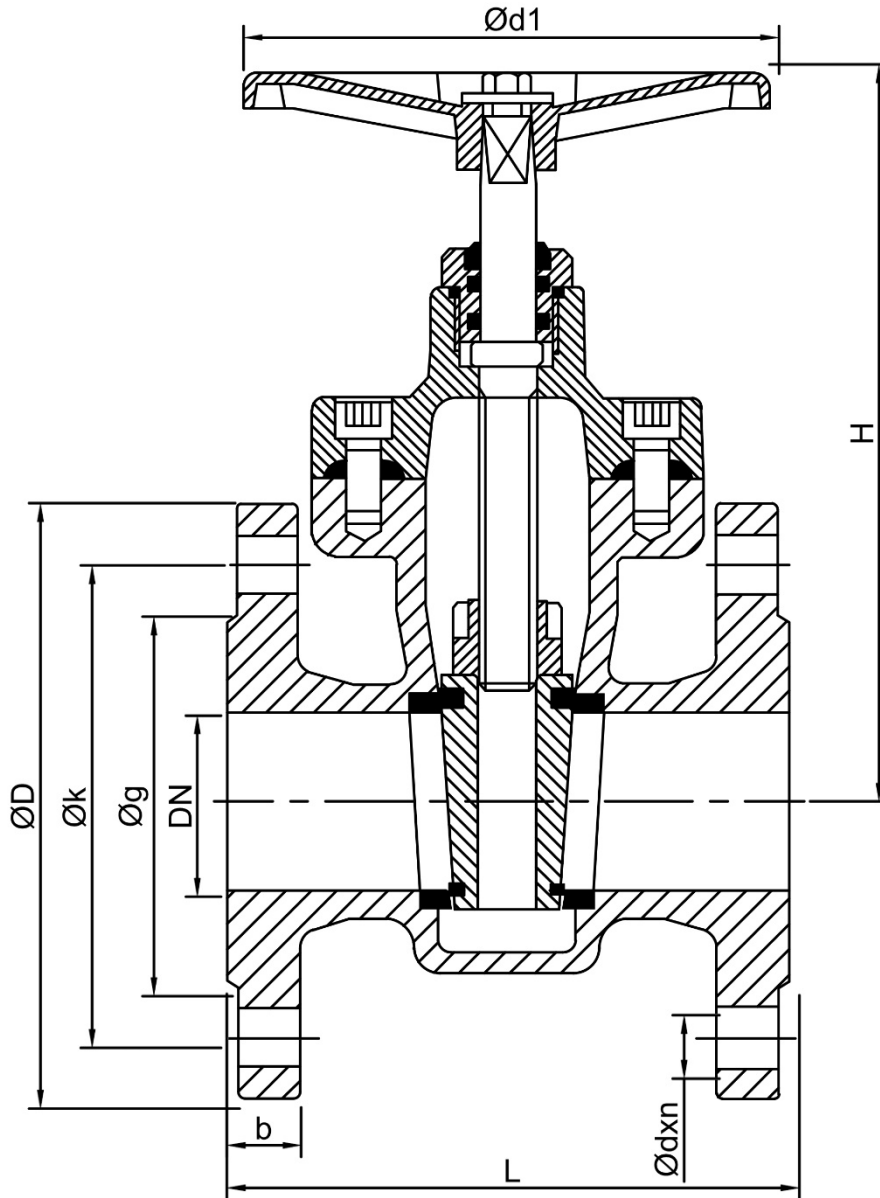
Nominal Pressure ;

PN16



Standart Materials

1	Housing	GG 25
2	Cover	GG 25
3	Flywheel	GG 20
4	Shaft	Stainless steel
5	Stem	GG 25
6	Gasket	NBR / EPDM
7	Seats	Brass, stainless steel, bronze



Connection Diameter		Dimensions								Nominal Pressure
DN	Inch	L	H	Ød1	ØD	Øk	Øg	b	Ødxn	PN
40	1 1/2"	140	170	160	150	110	84	18	Ø19x4	16
50	2"	150	180	160	165	125	99	20	Ø19x4	16
65	2 1/2"	170	230	160	185	145	118	20	Ø19x4	16
80	3"	180	245	160	200	160	132	22	Ø19x8	16
100	4"	190	265	200	220	180	156	24	Ø19x8	16
125	5"	200	355	250	250	210	184	26	Ø19x8	16
150	6"	210	400	250	285	240	211	26	Ø23x8	16
200	8"	230	490	315	340	295	266	30	Ø23x12	16
250	10"	250	615	315	405	355	319	32	Ø28x12	16
300	12"	270	700	315	460	410	370	32	Ø28x12	16
350	14"	290	835	400	520	470	429	36	Ø28x16	16
400	16"	310	910	400	580	525	480	38	Ø31x16	16
450	18"	330	1000	400	640	585	548	40	Ø31x20	16
500	20"	350	1135	500	715	650	609	42	Ø34x20	16
600	24"	390	1300	500	840	770	720	48	Ø37x20	16