

Operated Check Valve provides the required progress in the direction of flow of the fluid in the system and stop the reverse flow.

Scope of application;

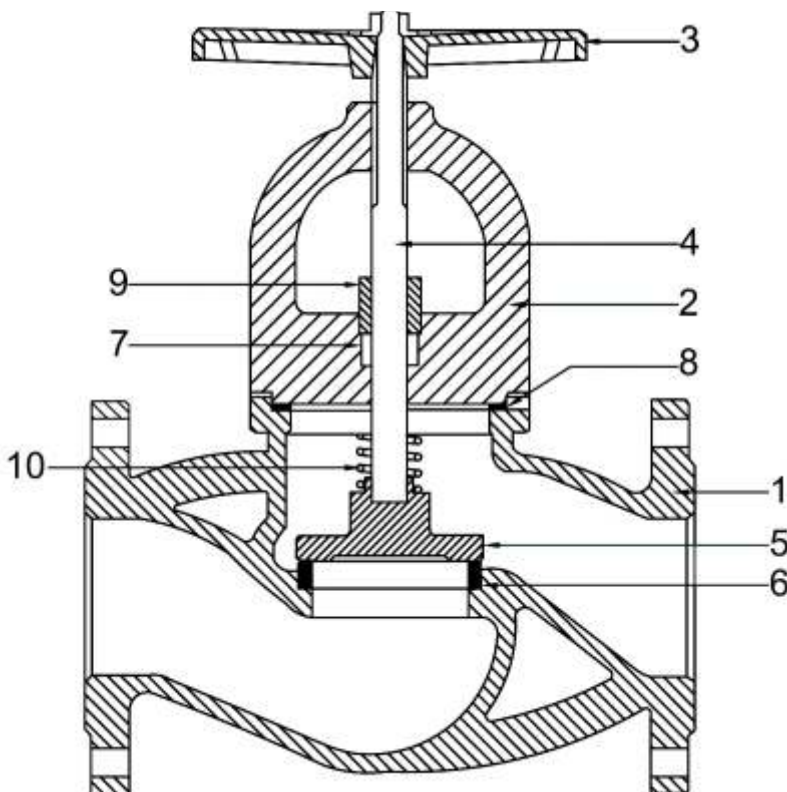
- Hot and cold water,
- Chemical fluids,
- For non-acidic and alkaline liquids,
- Steam

Connection Diameter ;

DN15-DN200

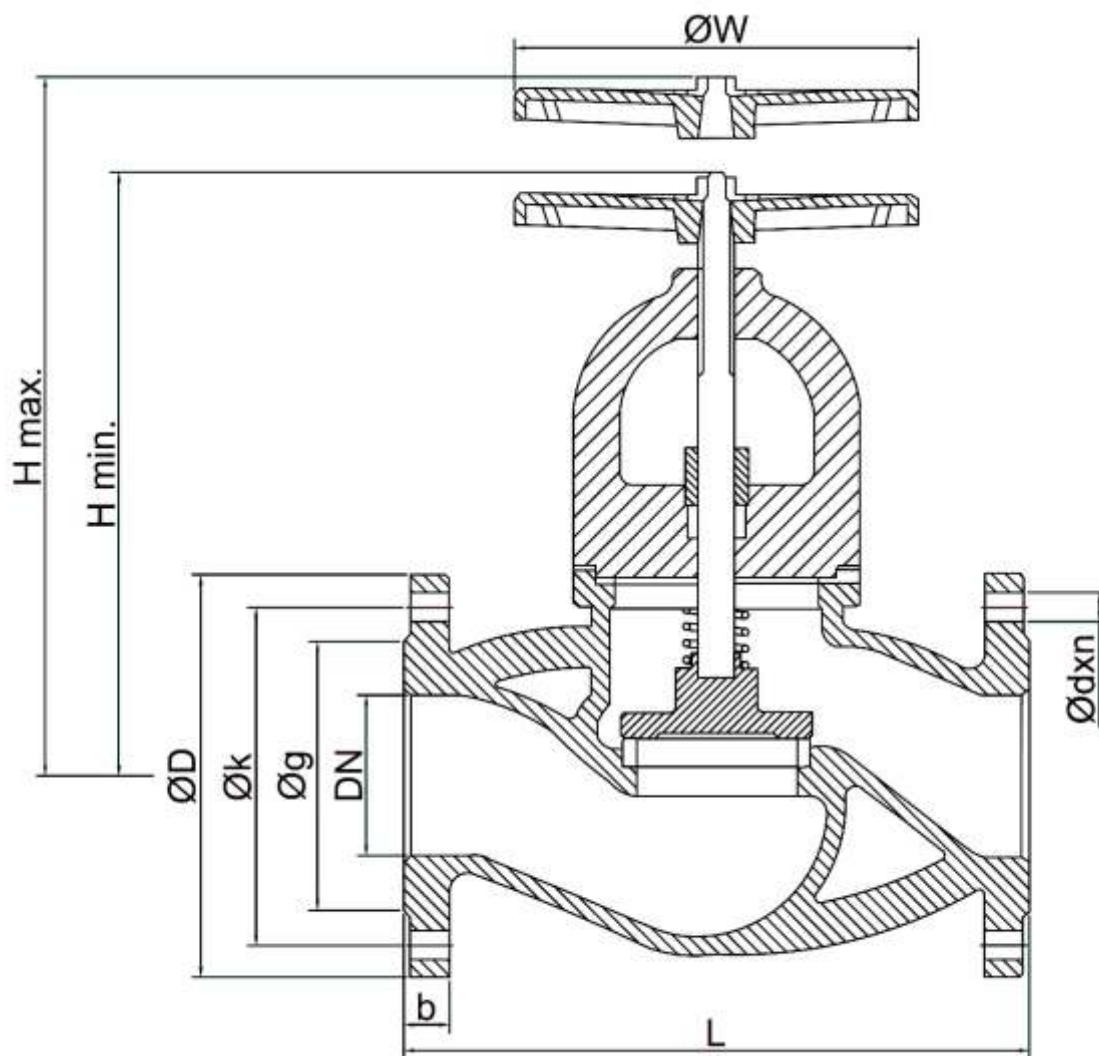
Nominal Pressure ;

PN16



Standart Materials

1	Body	GG 25
2	Cover	GG 25
3	Flywheel	GG 25
4	Shaft	AISI 420 (Stainless steel)
5	Clack	AISI 420 (Stainless steel)
6	Protected	AISI 304 (Stainless steel)
7	Packing	Graphite
8	Gasket	Klingerit
9	The gland	Brass forged
10	Spring	AISI 302 (Stainless steel)



Connection Diameter		Dimensions								Nominal Pressure	
DN	Inch	L	H min.	H max.	ØW	ØD	Øk	Øg	b	Ødxn	PN
15	1/2"	130	185	200	125	95	65	46	14	Ø14x4	16
20	3/4"	150	190	200	125	105	75	56	16	Ø14x4	16
25	1"	160	215	230	125	115	85	65	16	Ø14x4	16
32	1 1/4"	180	220	240	125	140	100	76	18	Ø19x4	16
40	1 1/2"	200	235	275	160	150	110	84	18	Ø19x4	16
50	2"	230	245	310	160	165	125	99	20	Ø19x4	16
65	2 1/2"	290	265	310	200	185	145	118	20	Ø19x4	16
80	3"	310	290	345	200	200	160	132	22	Ø19x8	16
100	4"	350	310	395	250	220	180	156	24	Ø19x8	16
125	5"	400	365	455	315	250	210	184	26	Ø19x8	16
150	6"	480	425	535	315	285	240	211	26	Ø23x8	16
200	8"	600	570	680	400	340	295	266	30	Ø23x12	16