

Y-Type Silt Trap removes the particles in a fluid when the fluid is passed through a chamber equipped with a filter.

Application areas;

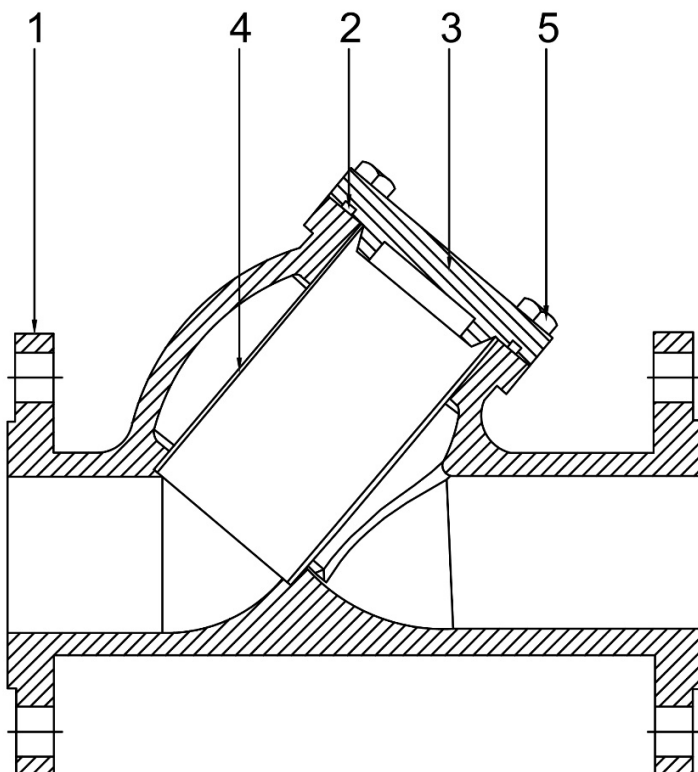
- Hot, warm and cold water,
- Steam,
- Chemical fluids,
- Gas systems,
- Fluids that do not show acidic or alkaline properties
- Compressed air,
- Industrial applications.

Flange Diameter ;

DN25-DN150

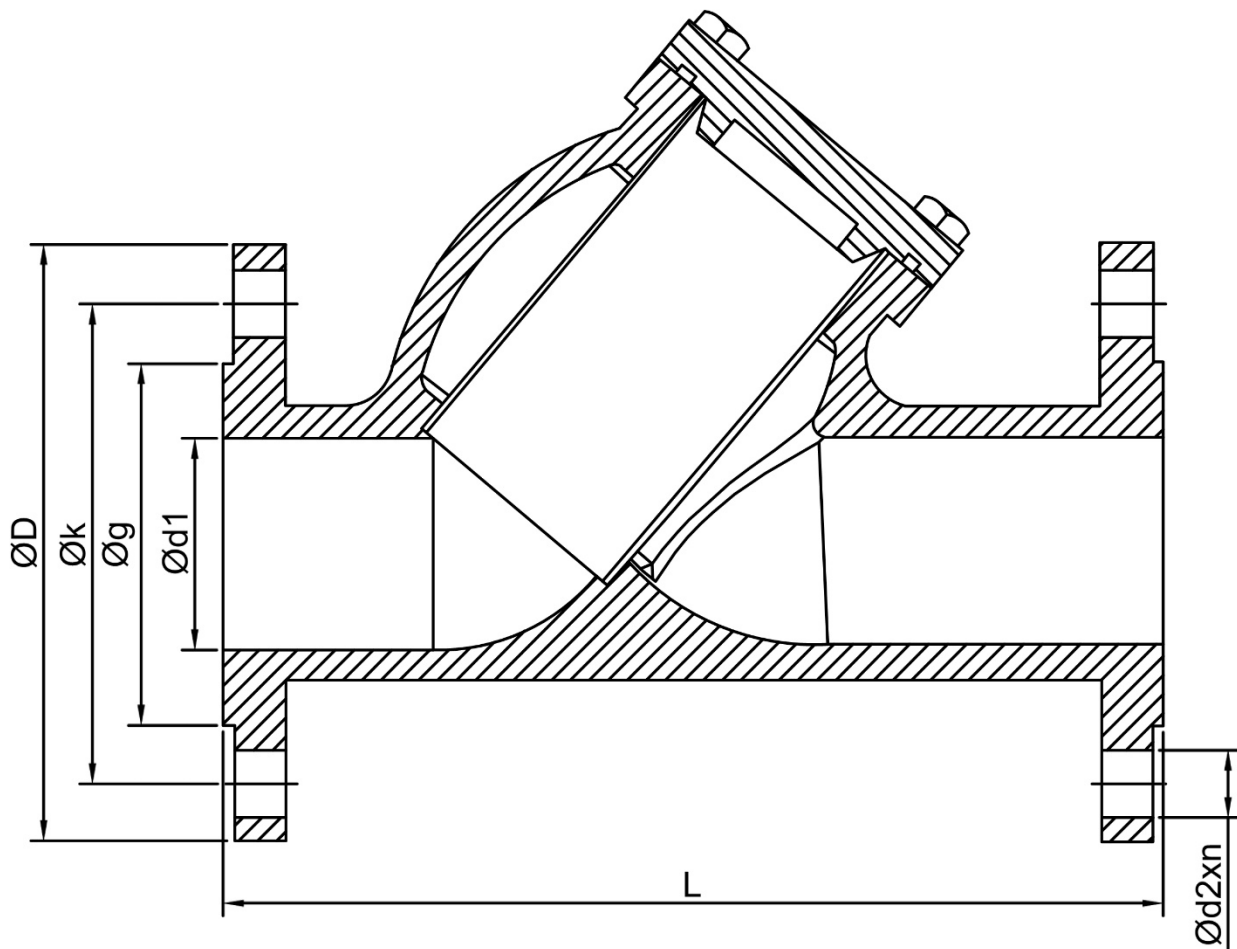
Nominal Pressure ;

PN16



Standart Materials

1	Housing	GG 25
2	O-ring	Viton
3	Cover	GG 25
4	Filter	Cr-Ni
5	Bolt	DIN 933



Flange Diameter		Dimensions					Nominal Pressure
DN	Inch	L	ØD	Øk	Øg	Ød2xn	PN
25	1"	160	115	85	65	Ø14x4	16
32	1 1/4"	180	140	100	76	Ø19x4	16
40	1 1/2"	200	150	110	84	Ø19x4	16
50	2"	230	165	125	99	Ø19x4	16
65	2 1/2"	290	185	145	118	Ø19x4	16
80	3"	310	200	160	132	Ø19x8	16
100	4"	350	220	180	156	Ø19x8	16
125	5"	400	250	210	184	Ø19x8	16
150	6"	480	285	240	211	Ø23x8	16