

Dismantling Joints play a decisive role in the design and layout of pipelines and valves. They are an essential aid during the installation and removal of pipe sections and valves. Without a dismantling joint offering longitudinal adjustment, it is almost impossible to insert a valve exactly into a pipe section. Thanks to this adjustability of the dismantling joint, the valve can be fitted next to the dismantling joint, and the dismantling joint can be set to the exact length required prior to being securely connected to flanges.

Areas of application:

- Potable Water
- Distribution Lines
- Industrial Applications
- Chamber Installation
- Water Treatment Plants
- Pumping Stations
- Seawater Applications
- Industry

Sizes:

- DN50 to DN2200

Nominal Pressure :

- PN 10 - PN 16 - PN 25 - PN 40

Flange Connection :

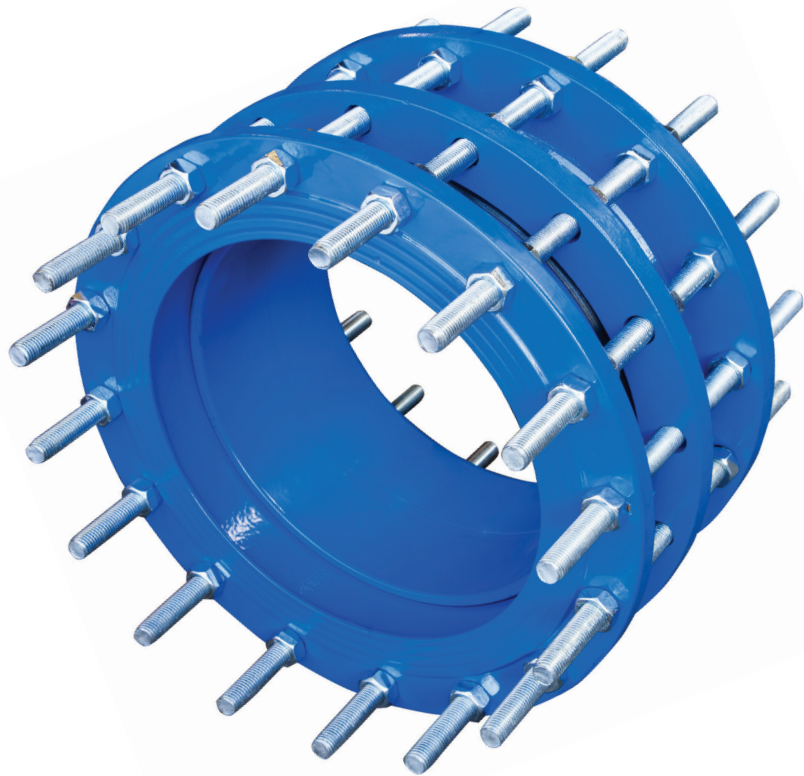
- EN 1092 - 2

Casting Standard :

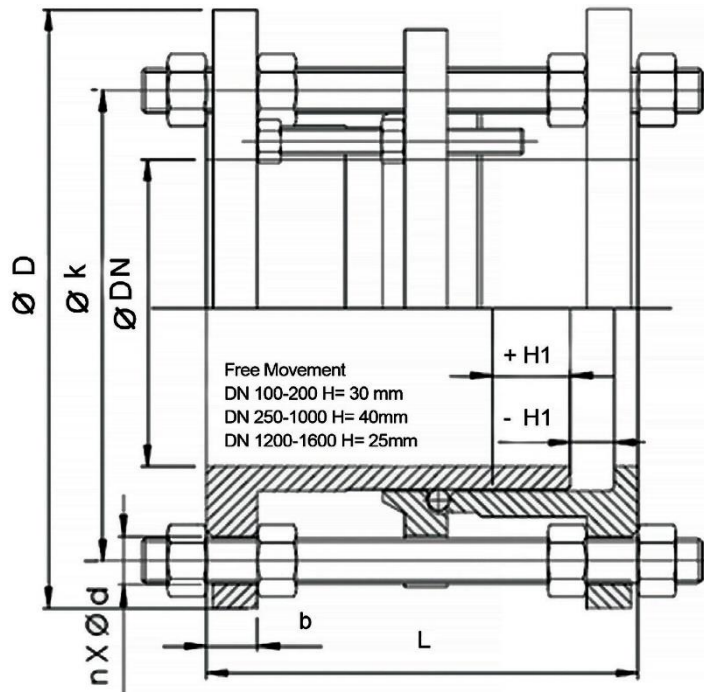
- EN 1563:2011(EN)

Tests:

- EN 1074 , EN 12266



Dismantling Joint Materials		
Item No	Track Name	Material Type
1	Long item	St.37 / GGG 40-50 Epoxy Cracking
2	Short item	St.37 / GGG 40-50 Epoxy Cracking
3	Intermediate Flange	St.37 / GGG 40-50 Epoxy Cracking
4	Stud And Bolt	8.8 ELEKTROGALVANİZ Cracking / AISI 304-316
5	Nut	8.8 ELEKTROGALVANİZ Cracking / AISI 304-316
6	O-RING	EPDM - Nitrile
7	Coating	Epoxy RAL 5005 250 - 300 Mikron



Size	Dimensions						Weights		
	PN 10			PN 16			H	PN 10	PN 16
DN	D	k	dxn	D	k	d2xn	H	Kg	Kg
50	165	125	19x4	165	125	19x4	40	8	8
65	185	145	19x4	185	145	19x4	40	9	9
80	200	160	19x8	200	160	19x8	40	16	16
100	220	180	19x8	220	180	19x8	40	21	21
125	250	210	19x8	250	210	19x8	40	26	26
150	285	240	23x8	285	240	23x8	40	35	35
200	340	295	23x8	340	295	23x12	40	46	50
250	400	350	23x12	405	355	28x12	40	70	80
300	455	400	23x12	460	410	28x12	40	90	99
350	505	460	23x16	520	470	28x16	40	105	140
400	565	515	28x16	580	525	31x16	40	135	165
450	615	565	28x20	640	585	31x20	40	145	190
500	670	620	28x20	715	650	34x20	40	155	210
600	780	725	31x20	840	770	37x20	40	215	300
700	895	840	31x24	910	840	37x24	40	265	340
800	1015	950	34x24	1025	950	41x24	40	310	400
900	1115	1050	34x28	1125	1050	41x28	40	370	450
1000	1230	1160	37x28	1255	1170	44x28	40	450	500
1100	1340	1270	37x32	1355	1270	44x32	40	600	700
1200	1455	1380	41x32	1485	1390	50x32	40	730	840
1300	1585	1490	42x32	1585	1490	50x32	40	810	950
1400	1675	1590	44x36	1685	1590	50x36	40	890	1.020
1500	1785	1700	44x36	1820	1710	57x36	40	1.050	1.250
1600	1915	1820	50x40	1930	1820	57x40	40	1.680	2.100
1800	2.115	2020	50x44	2.130	2020	57x44	40	2100	2800
2000	2.325	2230	50x48	2.345	2230	62x48	40	2400	3050
2200	2.550	2440	56x56	2.555	2440	62x52	40	3000	3530